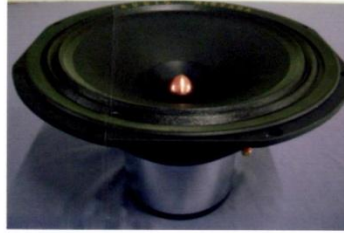
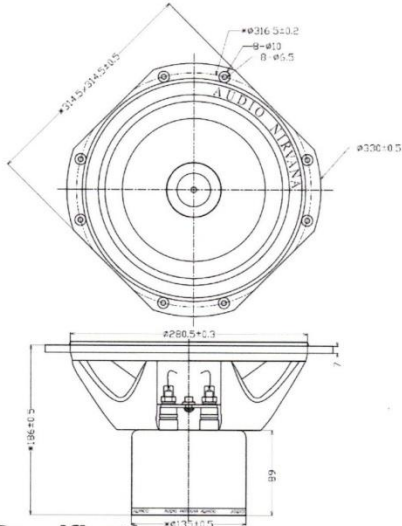


Specification 12" Alnico Driver

Full Range Speaker Unit



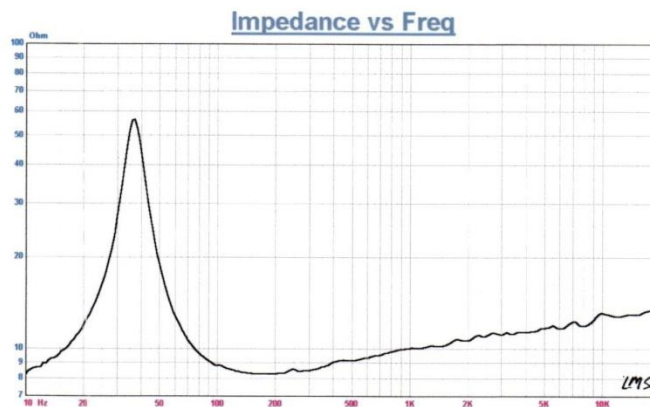
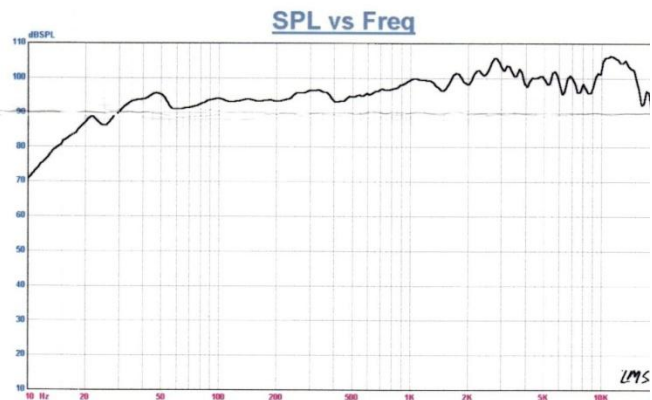
12" ALNICO



Specifications & Thiele/Small Parameters

Impedance	: 8 Ohm
Minimum Frequency Response	: 37 Hz
Reproduction Frequency Response	: Fo~18K
S.P.L.	: 94.023 dB/W(m)
Rated Input	: 30 W
Music Power	: 45 W
Equivalent Diaphragm Radius	: 136mm
Equivalent Mass	: 21.866g
Magnet Weight	: 1050 g
Net Weight	: 6800 g
Fs	: 37.064 Hz
Re	: 7.2 Ohm
Mms	: 28.411 g
BL	: 8.066TM
Qts	: 0.635
Qms	: 4.786
Qes	: 0.732
Vas	: 235.955 Ltr
Xmax	: 1.5mm
no	: 1.587%
Frame	: CAST
Cone	: PAPER
Surround	: FABRIC
Damper	: CONEX
VC DIA	: $\phi 38.5$ KSV 0.21 CCAW
Magnet	: Alnico $\phi 60 \times 50H$
Short Ring	: AL Ring
Center Can	: AL Phase Plug (Gold)

Material



Tweeter Reference One



MILLENNIUM T25CF002 E0011

The T25CF002, 'MILLENNIUM' is a 25mm soft dome tweeter with a novel Neodymium based magnet system.

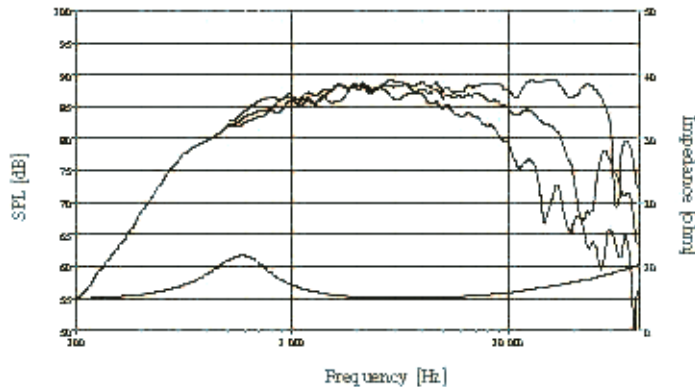
A unique HEXADYM magnet system (US Pat 6,020,805) based on 6 radially magnetized NiFeB magnet blocks. Efficient ventilation and damping of every potentially resonant cavity behind the dome, surround and voice coil. Moderate magnetic stray fields present no problems in AV installations.

A generously underhung voice coil (+ and - 0.5mm) ensures low distortion even with low crossover frequencies.

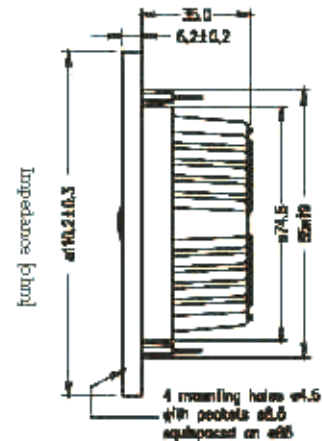
An optimally shaped and coated fabric dome diaphragm manufactured by SEAS from SONOTEX for excellent performance and consistency.

Flexible lead-out wires ensure a good connection between voice coil and terminals. This arrangement also helps to prevent lead breakage due to the large excursions encountered when low crossover frequencies are used.

A 6.0 mm injection moulded zinc front plate with a very slight loading characteristic which ensures linear frequency response, and a stiff and stable connection to the cabinet. A substantial injection-moulded rear chamber made from zinc eliminates unwanted chamber all resonances and conducts heat away from the magnet system.

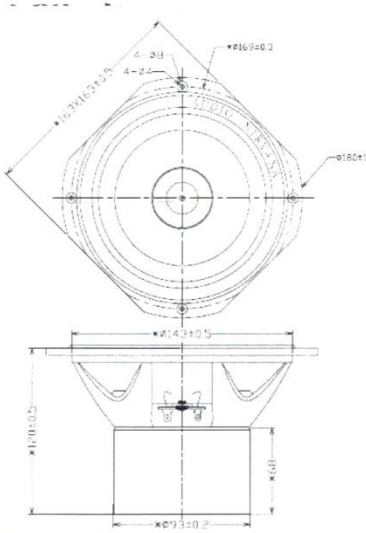


Free frequency response at one hour measured free field sound pressure in 0, 20, and 60 degrees, mounted in a 0.07m by 0.2m baffle, inputs: 20 Vrms, microphone distance 0.5m, normalised to SPL 1m. The impedance is measured without baffle using a 20Vrms signal.



Nominal Impedance	6 Ohms	Voice Coil Resistance	4.6 Ohms
Recommended Frequency Range	2000 - 25000 Hz	Voice Coil Inductance	0.05 mH
Short Term Power Handling ¹	200 W	Force Factor	3.1 N/A
Long Term Power Handling ¹	90 W	Free Air Resonance	500 Hz
Characteristic Sensitivity (2.83V, 1m)	89 dB	Moving Mass	0.37 g
Voice Coil Diameter	26 mm	Effective Piston Area	7.0 cm ²
Voice Coil Height	1.5 mm	Magnetic Gap Flux Density	1.5 T
Air Gap Height	2.5 mm	Magnet Weight	0.029 kg
Linear Coil Travel (p-p)	1.0 mm	Total Weight	0.36 kg

6.5" Alnico Driver



Specifications & Thiele/Small Parameters

Impedance	: 8 Ohm
Minimum Frequency Response	: 48Hz
Reproduction Frequency Response	: Fo~18K
S.P.L.	: 88.231 dB/W(m)
Rated Input	: 15W
Music Power	: 25W
Equivalent Diaphragm Radius	: 65mm
Equivalent Mass	: 7.019g
Magnet Weight	: 350g
Net Weight	: 2750 g
Fs	: 48.615Hz
Re	: 7.2 Ohm
Mms	: 7.862g
BL	: 4.494TM
Qts	: 0.665
Qms	: 2.973
Qes	: 0.856
Vas	: 32.21Ltr
Xmax	: 1mm
no	: 0.418%
Frame	: Cast
Cone&Sub	: Paper
Surround	: Fabric
Damper GLM	: Conex+Cotton
VC DIA CBC	: $\Phi 30$ KSV 0.17 SV
Magnet	: ALNICO $\Phi 44.5 \times 30$
Short Ring	: Cu Cap
Center Cap	: AL Phase Plug (gold)

